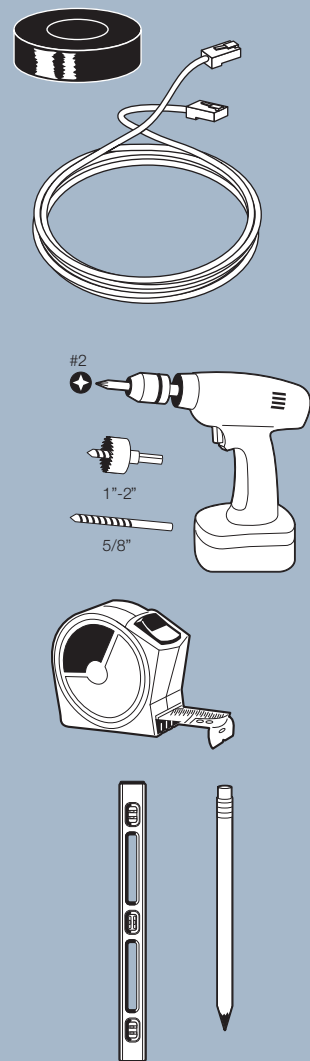


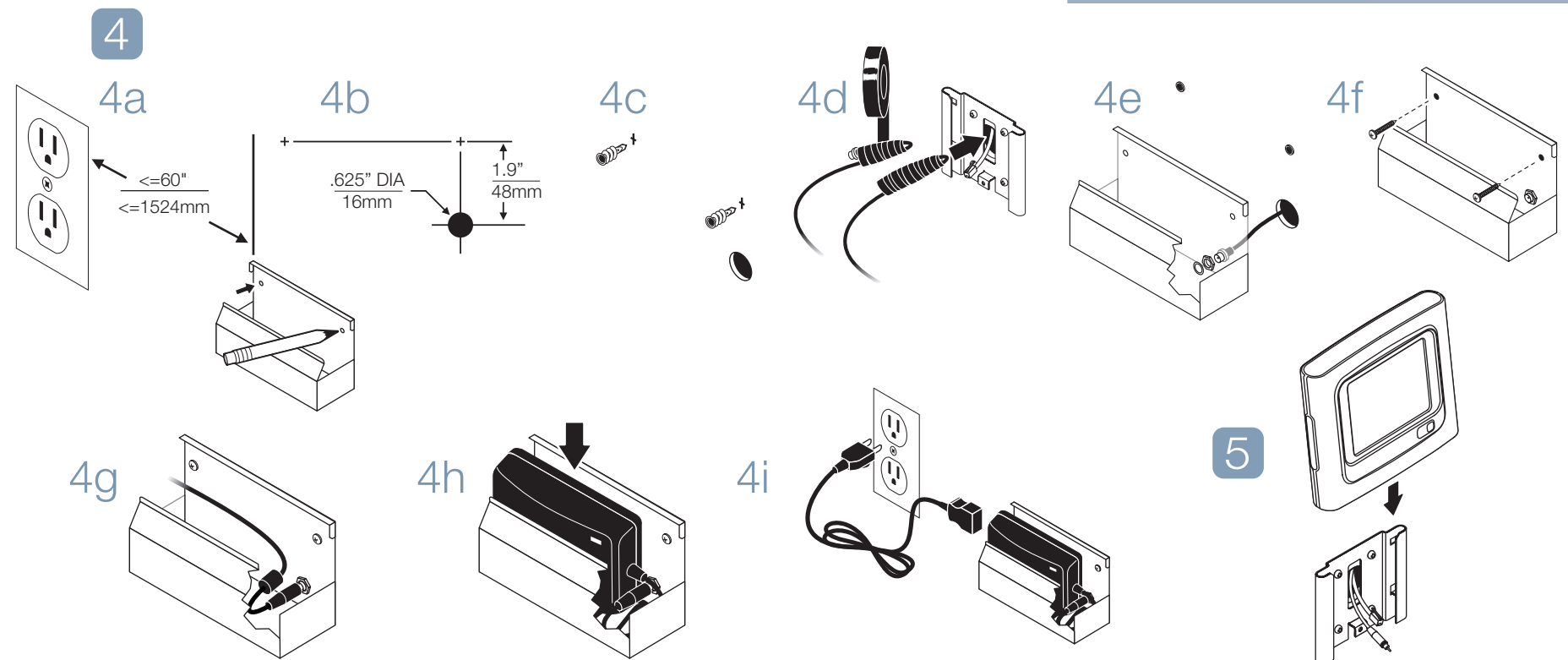
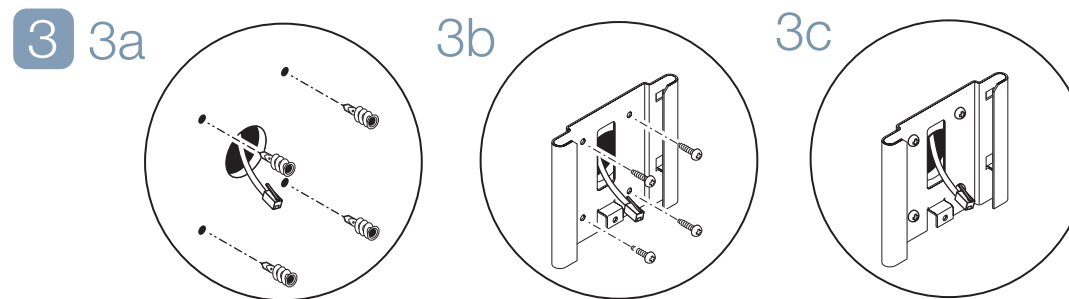
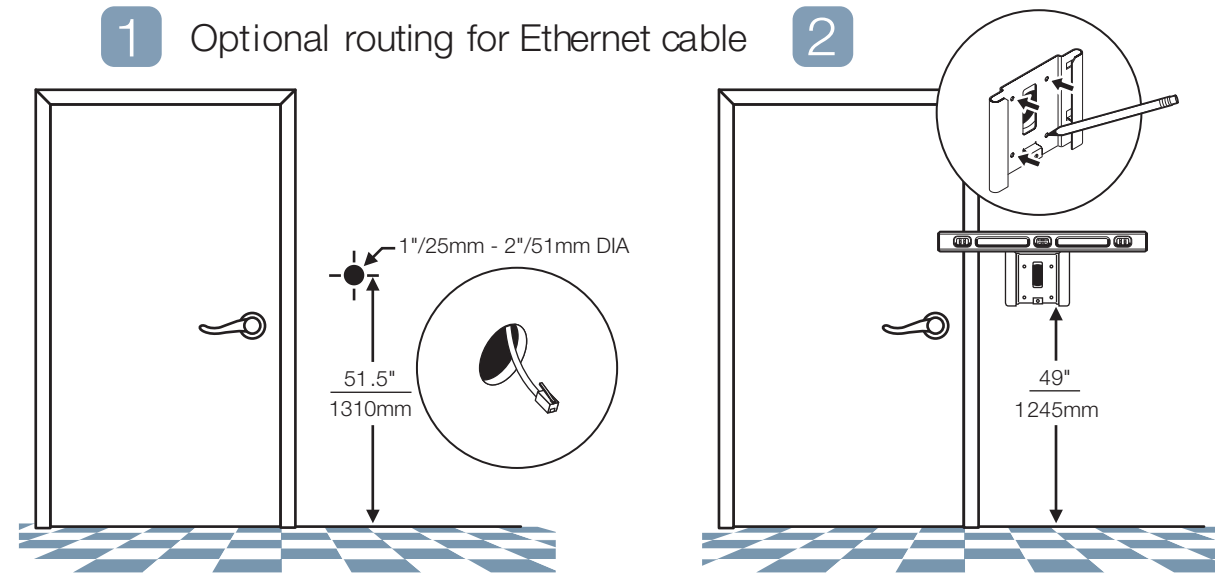
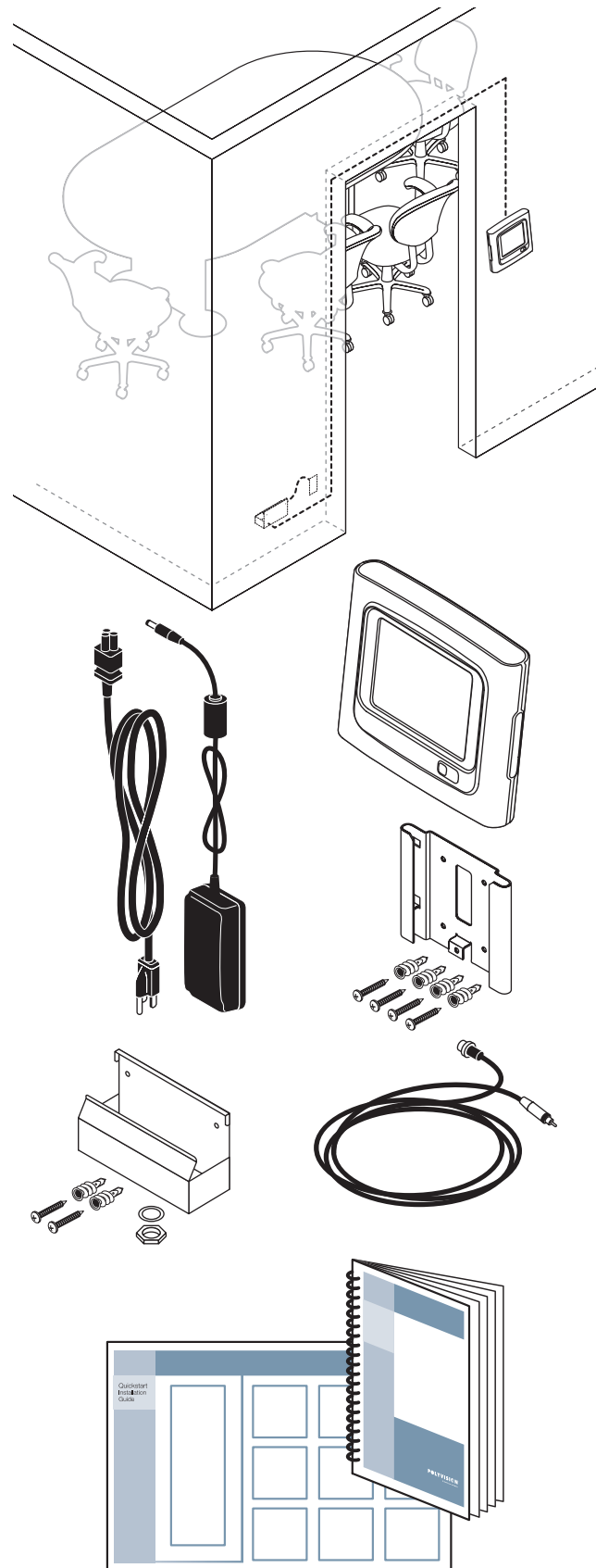
RoomWizard™ Installation (RW10)

Steelcase®

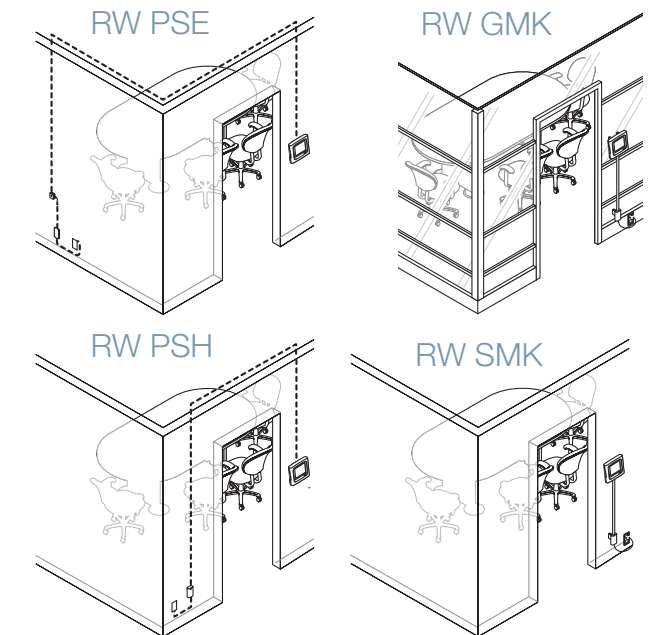
Quickstart Installation Guide



1.800.334.4922
PN 370-0186-04



Additional RW 10 mounting options are available



View individual Quickstart Guides for details or go to:
www.steelcase.com/roomwizard